

# malumbra

Pendant lamp

discrete



Malumbra is a vessel for light. A thin cylindrical shell uniformly diffuses light onto a finned structural frame which in turn reflects it into the surrounding space. The play of graduated brightness and shadows changes with every viewing point of the biomorphic geometry. The lamp also casts a disc of more intense light centrally downwards.

The pendant consists of a lamp holder and a lampshade. A matt black braided cotton cable and a black matt steel ceiling rose complete the lamp. High quality materials of natural, sustainable origin like rice paper and wood are assembled and finished by hand. Made to order in our UK atelier.

## Intended use

For indoor use only

## Materials

Lamp shade	Wood (95% wt), cellulose acetate (4%), paper
Lamp holder	Wood (41%), steel(28%), acrylic glass (16%), ceramic
Cable	Copper, PVC, cotton
Ceiling rose	Steel

# malumbra

Pendant lamp

discrete

## Dimensions

Ceiling rose diameter 120 mm [4.7 in] and height 25 mm [1 in].

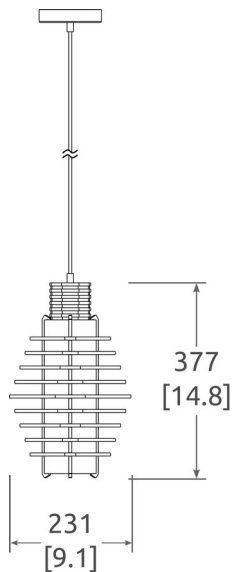


Diagram dimensions in mm [in].

These values are provided for guidance only. For specific requirements please contact us.

## Packaging

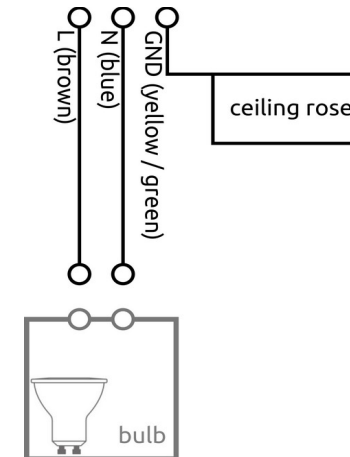
Dimensions	381 mm [15 in] X 254 mm [10 in] X 254 mm [10 in]
Weight	1.5 kg [3.3 lbs]

## Weight

Lamp shade	440 g	[15.5 oz]
Lamp holder incl. 1m cable	170 g	[6 oz]
Ceiling rose	157 g	[5.5 oz]
<i>Bulb (typical)</i>	53 g	[1.9 oz]
<i>Total</i>	820 g	[28.9 oz]

## Electrical properties

The lamp is fitted with a double insulated dual core power cable having a line wire (brown jacket) and a neutral wire (blue jacket). The wires are soldered to the lamp base and live leads are insulated from any surface the user can touch on the assembled lamp. We recommend that installation be performed by a qualified electrician.

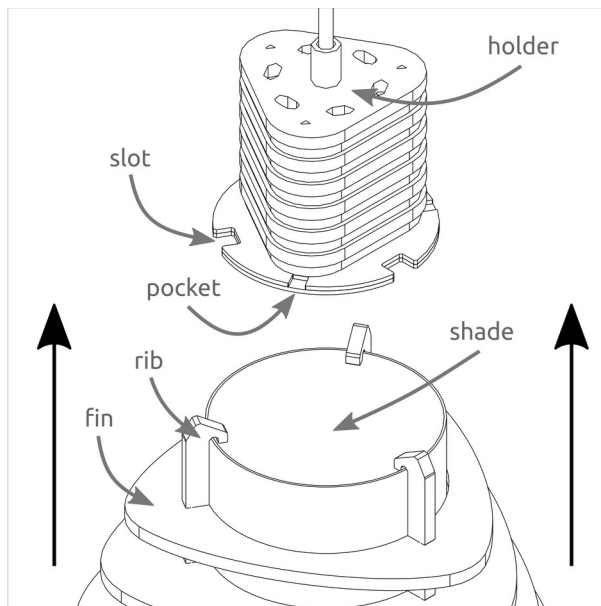


Electrical leads rated voltage	300/500 V
Bulb base	GU10 (twist lock)
Bulb rated power	10 W (no halogen, LED only)
Bulb maximum diameter	51 mm [2 in] (PAR16)
Bulb recommended length	54 mm [17/8 in]
Bulb recommended beam angle	35-36°

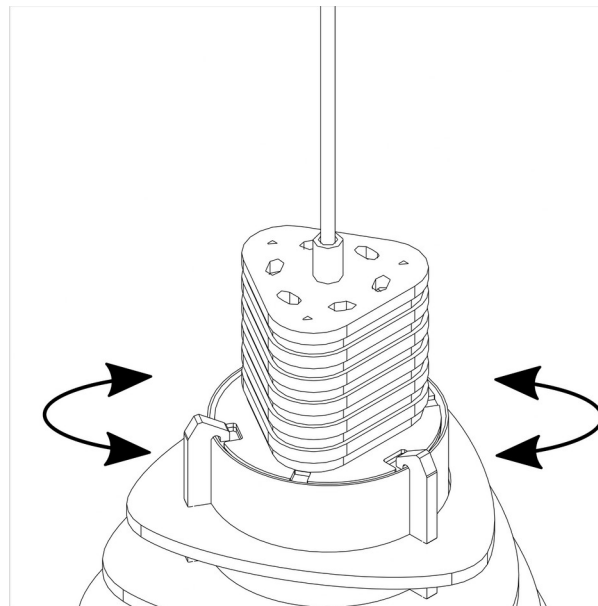
To best enjoy our lamp we recommend using a dimmable bulb such as the Integral LED p/n ILGU10DD112 (240V), the Osram p/n 4058075608290 (240V), the Philips p/n 567313 (120V) or equivalent.

## Assembly directions

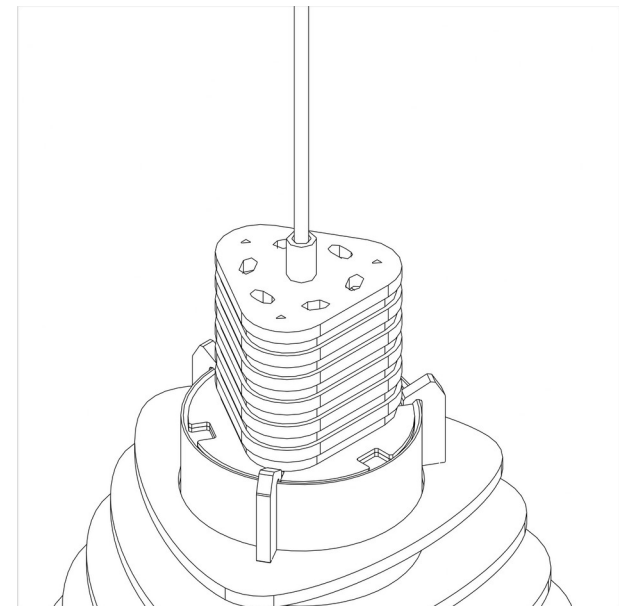
The lamp shade is applied after installation of the lamp. The shade is best handled by the fins. At the top of the shade the three vertical ribs are C shaped (as opposed to L shaped at the opposite end).



Align the shade ribs with the corresponding slots in the lamp holder and bring the top of the shade just above the transparent surface.



Rotate the shade with respect to the holder until the ribs are aligned with the pockets and rest the shade there.



Ensure that the ribs are slotted in the pockets and the shade is aligned with the holder. If uneven, slightly wiggling the two parts will ensure a perfect assembly.

To disassemble reverse the sequence of steps employed for assembly.